

TapeShooter® 150

The industry's heaviest duty, variable length, manual tape dispenser




**BETTER
PACKAGES, Inc.**



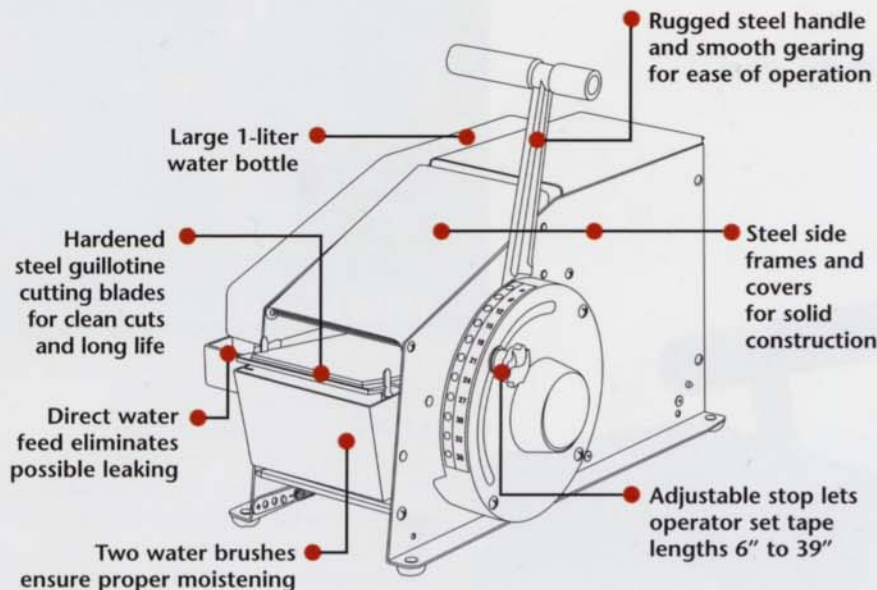
TS150 Manual Tape Dispenser

The TapeShooter® 150 is the heaviest duty manual tape dispenser available anywhere. Its rugged, all steel construction allows it to be used continuously, day-in, day-out and in environments where lesser machines would break down and stop functioning.

- Dispense up to 39" of tape in one stroke – more with multiple strokes
- Simple tape length settings
- Two water brushes for uniform wetting
- Guillotine shear blades for clean cutting
- Ultra rugged all steel construction
- Large water reservoir
- Handles both reinforced and paper tapes – from 1 1/2" to 4" wide
- Mechanically superior design
- Easy to move from one packing area to another

The TapeShooter® 150 is the manual tape dispenser of choice in any application where strength and endurance are paramount.

TapeShooter® 150



TS150 Manual Tape Dispenser

Size:	19"L x 10.5" W x 15" H
Tape Widths:	1 1/2" to 4" Wide
Maximum Roll Size:	Up to 600 ft. of tape – Up to 7 3/4" diameter roll
Tape Lengths Dispensed:	Up to 39" in a single stroke: Repeated pulls provide unlimited length
No. of Water Brushes:	2
Water Bottle Capacity:	1.1 quarts (1 liter)
Shipping Weight:	32 lbs.
Power Requirements:	None unless optional top heater is installed

Reinforced Tape – The Professional's Choice!

Virtually every major mail order house and shipper in the United States uses reinforced tape. So should you!

Do you ship heavy or large cartons? Is the merchandise you ship of high value? Do you ship many sizes and configurations of cartons? Are your cartons typically over stuffed or under stuffed? Are you a pick-and-pack operation, a frozen food operation, or a manufacturer or distributor with a wide variety of items? Have you had a problem with in-transit pilferage?

If the answer is yes to any of these questions, you should consider the advantages of reinforced tape and join the packaging professionals.

Advantages:

- Strong secure seal
- Neat appearance
- Easy to use
- May be imprinted during application
- Doesn't stick to itself during application
- Only one strip necessary for complete security
- Works well in dirty, dusty environments
- Permanent bond formed when the gummed adhesive penetrates the corrugated board
- Unaffected by extremes of cold, heat, light or humidity
- Tamper evident if the seal is compromised
- Even when damaged it retains strength – it doesn't run, tear or stretch
- Environmentally friendly and recyclable
- Eliminates repetitive wrist motions of hand-held tape guns
- Economical when used in conjunction with a Better Pack® tape system

Available Options

- **Top Heater** – For optimal reactivation of the adhesive, especially in cool environments or when heavy duty tape or hard water are in use.
- **CodeTaper®** – Imprints the tape with your custom message as it's dispensed. This in-line process improves productivity plus it identifies merchandise and helps to discourage in-transit pilferage.



**BETTER
PACKAGES, Inc.**

255 Canal Street • P.O. Box 711 • Shelton, CT 06484
Phone: 800 237-9151 • Fax: 203 926-3705
Email: info@betterpack.com